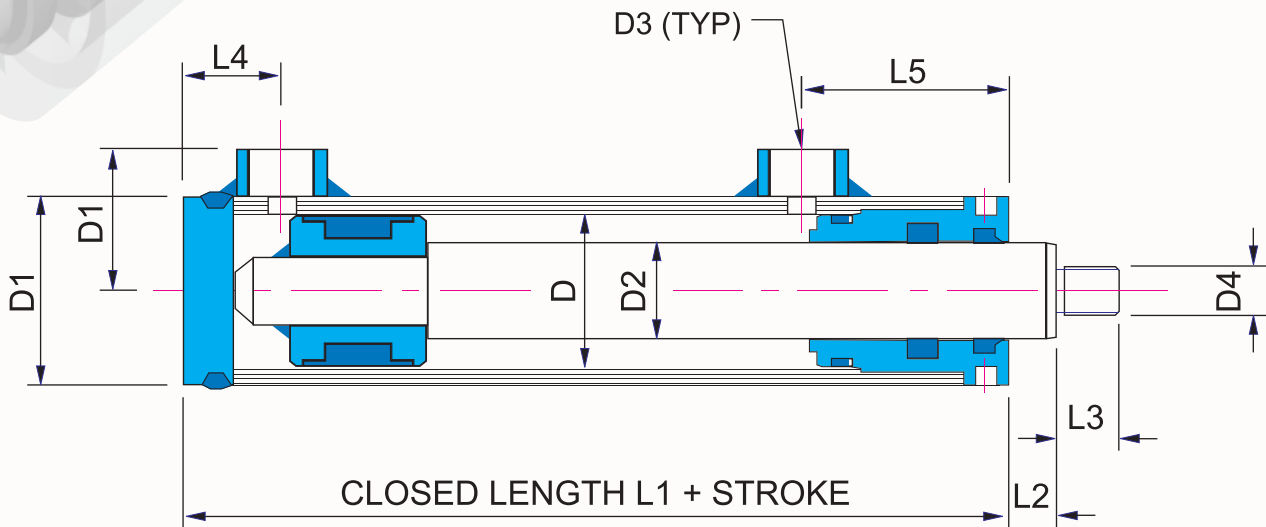


BASIC CYLINDER



| Cylinder size | Working pressure | D | D1 | D2 | D3 | D4 | L1 | L2 | L3 | L4 | L5 | H1 |
|-----------------|------------------|--------|--------|--------|-------------|------------|---------|------|--------|--------|--------|--------|
| 40 x 20 | 21 Mpa | 40 | 50 | 20 | 3/8" B.S.P | M16 X 1.5 | 211 | 10 | 15 | 25 | 45 | 37 |
| 50 x 25 | 21 Mpa | 50 | 62 | 20 | 3/8" B.S.P. | M16 X 1.5 | 223 | 13 | 15 | 27 | 48 | 42 |
| 2" x 1 1/4" | 25 Mpa | 2" | 2 1/2" | 1 1/4" | 1/2" B.S.P. | 7/8 UNF | 8 3/4" | 1/2" | 5/8" | 1 1/8" | 2" | 1 5/8" |
| 50 x 32 | 25 Mpa | 50 | 62 | 32 | 1/2" B.S.P. | M22 X 1.5 | 223 | 13 | 15 | 27 | 49 | 42 |
| 63 x 32 | 21 Mpa | 63 | 76 | 32 | 1/2" B.S.P. | M22 X 1.5 | 225 | 16 | 21 | 34 | 54 | 50 |
| 2 1/2" x 1 1/2" | 25 Mpa | 2 1/2" | 3" | 1 1/2" | 1/2" B.S.P. | 1" UNF | 10" | 5/8" | 7/8" | 1 3/8" | 2 1/8" | 2" |
| 63 x 40 | 25 Mpa | 63 | 76 | 40 | 1/2" B.S.P. | M35 X 1.5 | 225 | 16 | 21 | 34 | 54 | 50 |
| 80 x 40 | 21 Mpa | 80 | 100 | 40 | 1/2" B.S.P. | M35 X 1.5 | 311 | 16 | 34 | 36 | 64 | 61 |
| 3 1/4" x 2" | 25 Mpa | 3 1/4" | 3 3/4" | 2" | 1/2" B.S.P. | 1 3/4" UNF | 12 1/4" | 5/8" | 1 3/8" | 1 3/8" | 2 1/2" | 2 3/8" |
| 80 x 50 | 25 Mpa | 80 | 100 | 50 | 1/2" B.S.P. | M45 X 1.5 | 311 | 16 | 34 | 36 | 65 | 61 |
| 3 1/4" x 2 1/4" | 25 Mpa | 3 1/4" | 3 7/8" | 2 1/4" | 1/2" B.S.P. | 2" UNF | 12 1/4" | 5/8" | 1 3/8" | 1 3/8" | 2 1/2" | 2 3/8" |
| 80 x 60 | 25 Mpa | 80 | 100 | 60 | 1/2" B.S.P. | M58 X 1.5 | 311 | 16 | 34 | 36 | 64 | 61 |
| 4" x 2" | 21 Mpa | 4" | 4 1/2" | 2" | 1/2" B.S.P. | 2" UNF | 14" | 3/4" | 1 1/2" | 1 1/2" | 2 5/8" | 2 5/8" |
| 100 x 50 | 21 Mpa | 100 | 120 | 50 | 1/2" B.S.P. | M45 x 1.5 | 358 | 20 | 44 | 38 | 70 | 72 |
| 4" x 2 1/2" | 25 Mpa | 4" | 4 3/4" | 2 1/2" | 1/2" B.S.P. | 2" UNF | 14" | 3/4" | 1/34" | 1 1/2" | 2 3/4" | 2 7/8" |
| 100 x 63 | 25 Mpa | 100 | 120 | 63 | 1/2" B.S.P. | M 58 X 1.5 | 358 | 20 | 44 | 38 | 70 | 72 |
| 100 x 70 | 25 Mpa | 100 | 120 | 70 | 3/4" B.S.P. | M58 X 1.5 | 358 | 20 | 44 | 38 | 70 | 72 |
| 5" x 2 1/2" | 21 Mpa | 5" | 5 1/2" | 2 1/2" | 3/4" B.S.P. | 2 1/4" UNI | 16 1/4" | 1" | 2" | 2" | 3" | 3 1/4" |
| 125 x 63 | 21 Mpa | 125 | 145 | 63 | 3/4" B.S.P. | M58 X 1.5 | 414 | 25 | 55 | 52 | 75 | 90 |
| 5" x 3" | 25 Mpa | 5" | 5 3/4" | 3" | 3/4" B.S.P. | 2 1/2" UNI | 16 1/4" | 1" | 2 1/4" | 2" | 3" | 3 5/8" |
| 125 x 80 | 25 Mpa | 125 | 145 | 80 | 3/4" B.S.P. | M65 X 1.5 | 414 | 25 | 55 | 52 | 75 | 90 |
| 5" x 3 1/2" | 25 Mpa | 6" | 6" | 3 1/2" | 3/4" B.S.P. | 2 3/4" UNI | 16 1/4" | 1" | 2 1/4" | 2" | 3" | 3 5/8" |
| 125 x 90 | 25 Mpa | 160 | 140 | 90 | 3/4" B.S.P. | M80 X 2 | 414 | 25 | 55 | 52 | 75 | 90 |
| 6" x 3 1/4" | 21 Mpa | 6" | 6 1/2" | 3 1/4" | 1" B.S.P. | 3/4" UNI | 16 1/4" | 1" | 2 1/2" | 2 1/2" | 3 1/4" | 4" |
| 160 x 80 | 21 Mpa | 160 | 180 | 80 | 1" B.S.P. | M80 X 2 | 519 | 25 | 64 | 62 | 82 | 110 |
| 6" x 4" | 25 Mpa | 6" | 7" | 4" | 1" B.S.P. | 3 1/4" UNI | 20 1/2" | 1" | 2 1/2" | 2 1/2" | 3 1/4" | 110 |
| 160 x 100 | 25 Mpa | 160 | 180 | 100 | 1" B.S.P.Z | M80 X 2 | 519 | 25 | 60 | 62 | 82 | 110 |

Phone:

+27 11 828 5506
+27 11 828 5508

Fax:

+27 11 828 1162

Web:

www.kappaeng.co.za

e-mail:

sales@kappaeng.co.za