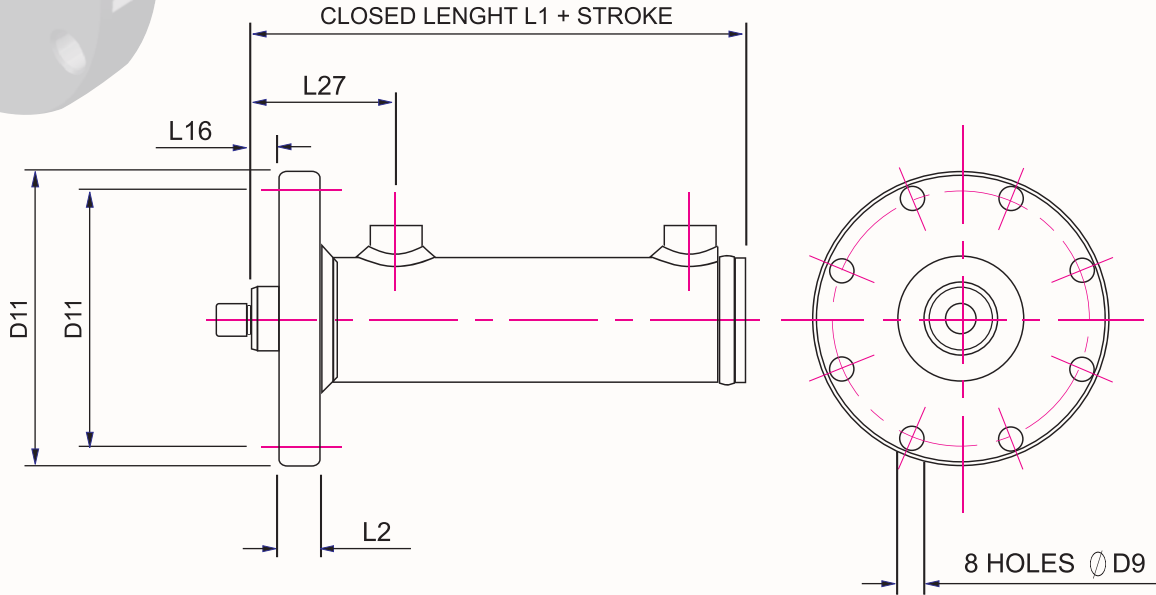


FRONT FLANGE



Cylinder size	D9	D10	D11	L1	L16	L17	L27
40 X 20	11	120	140	116	35	18	45
50 X 25	11	126	145	123	40	18	49
2" X 1 1/4"	3/8"	5"	5 3/4"	4 7/8"	1 1/2"	3/4"	2 1/8"
50 X 32	11	126	145	123	40	18	49
63 X 32	14	145	170	140	50	20	54
2 1/2" X 1 1/2"	1/2"	5 3/4"	6 3/4"	5 1/2"	2"	3/4"	2 1/8"
63 X 40	14	145	170	140	20	20	54
80 X 40	18	165	200	156	55	24	64
3 1/4" X 2"	3/4"	6 1/2"	7 7/8"	6 1/8"	2 1/8"	1"	2 1/2"
80 X 50	18	165	200	156	55	24	64
3 1/4" X 2 1/4"	3/4"	6 1/2"	7 7/8"	6 1/8"	2 1/8"	1"	2 1/2"
80 X 60	18	165	200	156	55	24	64
4" X 2"	7/8"	7 7/8"	9 1/2"	6 7/8"	2 3/4"	1/8"	2 3/4"
100 X 50	22	200	240	173	70	28	69
4" X 2 1/2"	7/8"	7 7/8"	9 1/2"	6 7/8"	2 3/4"	1/8"	2 3/4"
100 X 63	22	200	240	173	70	28	69
100 X 70	22	200	240	173	70	28	69
5" X 2 1/2"	7/8"	9 1/4"	10 5/8"	7 7/8"	3 3/8"	1 3/8"	3"
125 X 63	22	235	270	199	85	34	75
5" X 3"	7/8"	9 1/4"	10 5/8"	7 7/8"	3 3/8"	1 3/8"	3"
125 X 80	22	235	270	199	85	34	75
5" X 3 1/2"	7/8"	9 1/4"	10 5/8"	7 7/8"	3 3/8"	1 3/8"	3"
125 X 90	22	235	270	199	85	34	75
6" X 3 1/4"	7/8"	11"	12 5/8"	9 7/8"	4 3/8"	1 1/2"	3 1/4"
160 X 80	22	280	320	249	110	38	82
6" X 4"	7/8"	11"	12 5/8"	9 7/8"	4 3/8"	1 1/2"	3 1/4"
160 X 100	22	280	320	249	110	38	82

Phone:

+27 11 828 5506
+27 11 828 5508

Fax:

+27 11 828 1162

Web:

www.kappaeng.co.za

e-mail:

sales@kappaeng.co.za